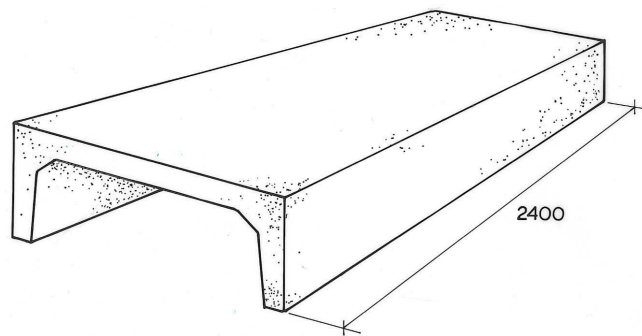


Small Box Culvert

Australian Standards Reinforced Concrete Box Culverts Installation Guide



DESIGN

CM Concrete Products **Small Box Culverts** are designed and manufactured to AS1597.1 – 2010 Base slabs (either in-situ poured or precast) must be constructed with rebates. Exposure classification B1 - Live loading to AUSTRROADS W7 & T44.

HANDLING & STORAGE

Lift precast units only at lifting points provided (*“Swiftlift” or equivalent*). Store precast units on timber bearers with legs facing downward.

INSTALLATION

Install precast culvert units to AS1579.1 or the relevant authority or project standards. Construct In-situ base slabs to TMR Standard Drawings.

Precast base slabs must be installed on a firm surface with nominally 75mm of sand or fine granular bedding material under the slabs.

Place cement mortar along base slab rebates prior to installing precast culvert units.

Ensure continuous mortar placement along rebate.

For Multi-Cell installations the gap between adjacent units is to be no greater than 25mm. A sand - cement mortar shall be placed within the gap for at least the top 150mm with the remainder of the gap filled with sand or fine granular material.

Joints between consecutive precast units are normally butted together with a gap of up to 10mm.

Crown ONLY installations (not inverted)

BACKFILLING & COMPACTION

Backfill in maximum 150mm layers evenly on both sides of precast units in accordance with the project specifications.



C - M Concrete Products Pty Ltd



Keeping you streets ahead

Head Office:

4 Quarry Road STAPYLTON QLD
PO Box 167 BEENLEIGH QLD 4207

P: (07) 3804 6622 F: (07) 3804 6699
e: info@cmconcrete.com.au w: cmconcrete.com.au

Branch Office:

13-15 Enterprise Drive
BEAUDESERT QLD 4285